

**D STEINEL Vertrieb GmbH**  
Dieselstraße 80-84  
33442 Herzbrock-Clarholz  
Tel: +49/5245/448-188  
Fax: +49/5245/448-197  
www.steinell.de

**A Steinel Austria GmbH**  
Hirschstettner Strasse 19/A/2/  
A-1220 Wien  
Tel.: +43/1/2023470  
Fax: +43/1/2020189  
info@steinell.at

**CH PUAG AG**  
Oberebenstrasse 51  
CH-5620 Bremgarten  
Tel.: +41/56/6488888  
Fax: +41/56/6488880  
info@puag.ch

**GB STEINEL U.K. LTD.**  
25, Manasty Road · Axis Park  
Orton Southgate  
GB-Peterborough Cambs PE2 6UP  
Tel.: +44/1733/366-00  
Fax: +44/1733/366-701  
steinell@steinell.co.uk

**IRL Socket Tool Company Ltd**  
Unit 714 Northwest Business Park  
Kilshane Drive · Ballycoolin · Dublin 15  
Tel.: 00353 1 8809120  
Fax: 00353 1 8612061  
info@sockettool.ie

**F STEINEL FRANCE SAS**  
ACTICENTRE - CRT 2  
Rue des Famards - Bât. M - Lot 3  
F-59818 Lesquin Cedex  
Tél.: +33/3/20 30 34 00  
Fax: +33/3/20 30 34 20  
info@steinellfrance.com

**NL Van Spijk B.V.**  
Postbus 2  
5688 HP OIRSCHOT  
De Scheper 402  
5688 HP OIRSCHOT  
Tel. +31 499 571810  
Fax. +31 499 575795  
info@vanspijk.nl  
www.vanspijk.nl

**B VSA Belgium**  
Hagelberg 29  
B-2440 Geel  
Tel.: +32/14/256050  
Fax: +32/14/256059  
info@vsabelgium.be  
www.vsabelgium.be

**L Minusines S.A.**  
8, rue de Hogenberg  
L-1022 Luxembourg  
Tél. : (00 352) 49 58 58 1  
Fax : (00 352) 49 58 66/67  
www.minusines.lu

**E SAET-94 S.L.**  
C/ Trepadella, nº 10  
Pol. Ind. Castellbisbal Sud  
E-08755 Castellbisbal (Barcelona)  
Tel.: +34/93/772 28 49  
Fax: +34/93/772 01 80  
saet94@saet94.com

**I STEINEL Italia S.r.l.**  
Largo Donegani 2  
I-20121 Milano  
Tel.: +39/02/96457231  
Fax: +39/02/96459295  
info@steinell.it  
www.steinell.it

**P Pronodis -  
Soluções Tecnológicas, Lda.**  
Zona Industrial Vila Verde Sul,  
Rua D, n.º 11  
P-3770-305 Oliveira do Bairro  
Tel.: +351 234 484 031  
Fax: +351 234 484 033  
pronodis@pronodis.pt  
www.pronodis.pt

**S KARL H STRÖM AB**  
Verktysvägen 4  
S-55302 Jönköping  
Tel.: +46/36/31 42 40  
Fax: +46/36/31 42 49  
www.khs.se

**DK Roliba A/S**  
Hvidkærvej 52  
DK-5250 Odense SV  
Tel.: +45 6593 0357  
Fax: +45 6593 2757  
www.roliba.dk

**FI Oy Hedtec Ab**  
Lautasaarentie 50  
FI-00200 Helsinki  
Tel.: +358/207 638 000  
Fax: +358/9/673 813  
lighting@hedtec.fi  
www.hedtec.fi/valaistus

**N Vilan AS**  
Olaf Helsettsvei 8  
N-0694 Oslo  
Tel.: +47/22725000  
post@vilan.no  
www.vilan.no

**GR PANOS Lingonis + Sons O. E.**  
Aristofanous 8 Str.  
GR-10554 Athens  
Tel.: +30/210/3212021  
Fax: +30/210/3218630  
lygonis@otenet.gr

**TR SAOS Teknoloji Elektrik Sanayi ve  
Ticaret Limited Şirketi**  
Halil Rifat Paşa mahallesi  
Yüzerhavuz Sokak  
PERPA Ticaret Merkezi A Blok  
Kat 5 No.313  
Şişli / İSTANBUL  
Tel.: +90 212 220 09 20  
Fax: +90 212 220 09 21  
iletisim@saosteknoloji.com.tr  
www.saosteknoloji.com.tr

**CZ ELNAS s.r.o.**  
Oblekovice 394  
CZ-67181 Znojmo  
Tel.: +420/515/220126  
Fax: +420/515/244347  
info@elnas.cz · www.elnas.cz

**PL „LL” Spółka z ograniczoną  
odpowiedzialnością sp.k.**  
Byków, ul. Wrocławska 43  
PL-55-095 Mirków  
Tel.: +48 71 3980818  
Fax: +48 71 3980819  
elektro@langelukaszuk.pl

**H DINOCOOP Kft**  
Radvány u. 24  
H-1118 Budapest  
Tel.: +36/1/3193064  
Fax: +36/1/3193066  
dinocoop@dinocoop.hu

**LT KVARCAS**  
Neries krantine 32  
LT-48463, Kaunas  
Tel.: +370/37/408030  
Fax: +370/37/408031  
info@kvarcas.lt

**EST Fortronic AS**  
Tööstuse tee 10,  
EST-61715, Tõrvandi,  
Ülenurme vald, Tartumaa  
Tel.: +372/7/475208  
Fax: +372/7/367229  
info@fortronic.ee  
www.fortronic.ee

**SLO ELEKTRO – PROJEKT PLUS D.O.O.**  
Suha pri Predoslah 12  
SLO-4000 Kranj  
PE GRENC 2  
4220 Škofja Loka  
Tel.: 00386-4-2521645  
GSM: 00386-40-856555  
info@elektroprojektplus.si  
www.priporocam.si

**SK NECO SK, A.S.**  
Ružová ul. 111  
SK-01901 Ilava  
Tel.: +421/42/4 45 67 10  
Fax: +421/42/4 45 67 11  
neco@neco.sk  
www.neco.sk

**RO Steinel Distribution SRL**  
Parc Industrial Metrom  
RO-500269 Brasov  
Str. Carpatilor nr. 60  
Tel.: +40(0)268 53 00 00  
Fax: +40(0)268 53 11 11  
www.steinell.ro

**HR Daljinsko upravljanje d.o.o.**  
Bedriha Smetane 10  
HR-10000 Zagreb  
t/ 00385 1 388 66 77  
f/ 00385 1 388 02 47  
daljinsko-upravljanje@inet.hr  
www.daljinsko-upravljanje.hr

**LV AMBERGS SIA**  
Brivibas gatve 195-16  
LV-1039 Riga  
Tel.: 00371 67550740  
Fax: 00371 67552850  
www.ambergs.lv

**BG ТАШЕВ-ГАЛВИНГ ООД**  
Бул. Климент Охридски № 68  
1756 София, България  
Тел.: +359 2 700 45 45 4  
Факс: +359 2 439 21 12  
info@tashev-galving.com  
www.tashev-galving.com

**RUS Best - Snaab**  
ул.1812 года, дом 12  
121127 Москва · Россия  
Tel: +7 (495) 280-35-53  
info@steinell.ru  
www.steinell.ru

**CN STEINEL China**  
Representative Office  
Shanghai Rm. 25 A,  
Huadu Mansion No. 838  
Zhangyang Road Shanghai 200122  
Tel: +86 21 5820 4486  
Fax: +86 21 5820 4212  
james.chai@steinell.cn  
info@steinell.cn  
www.steinell.cn

**STEINEL®**  
Intelligent technology



XLED home 2



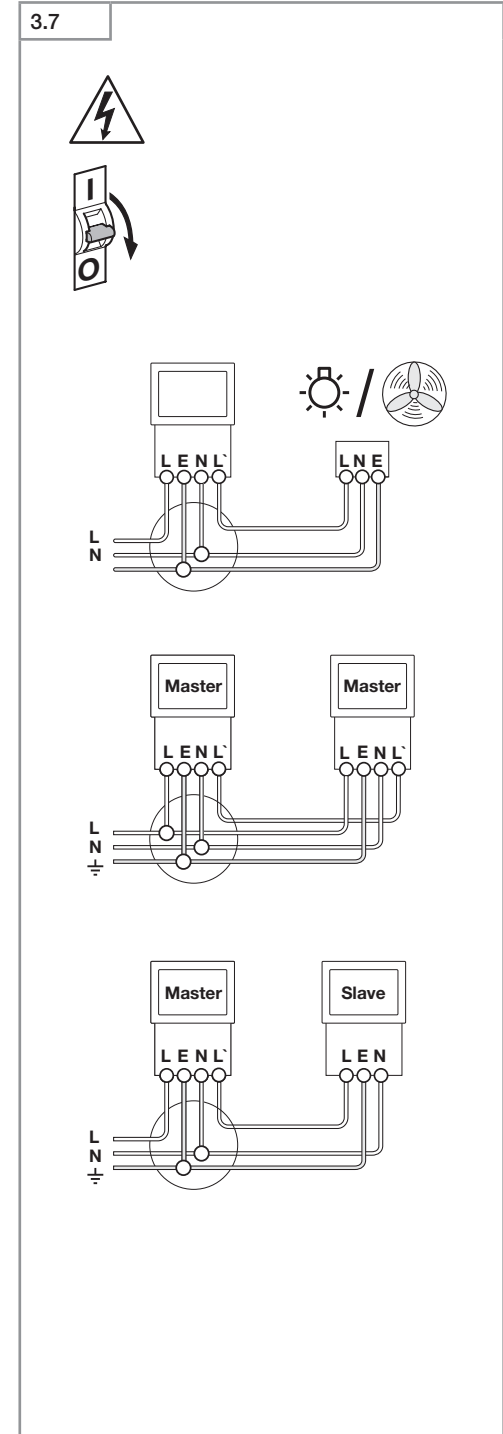
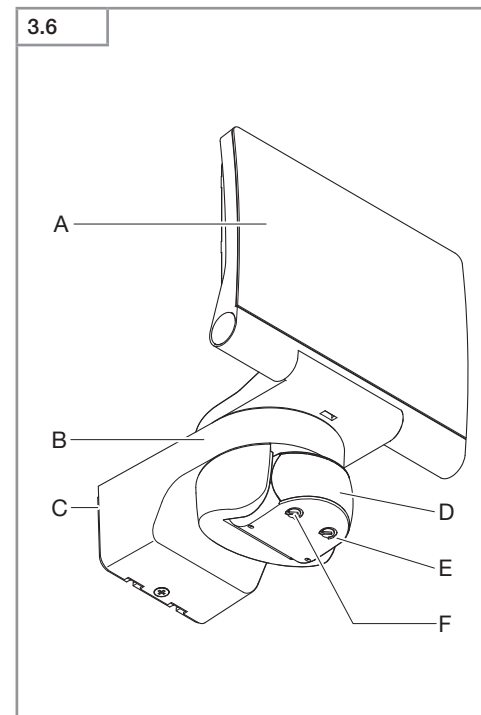
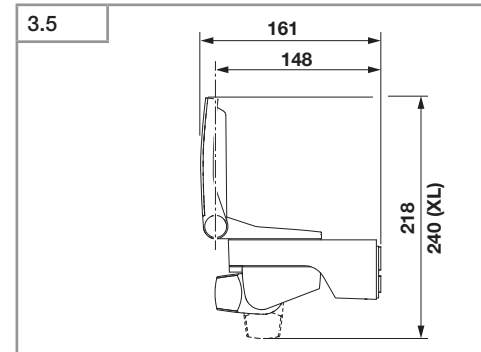
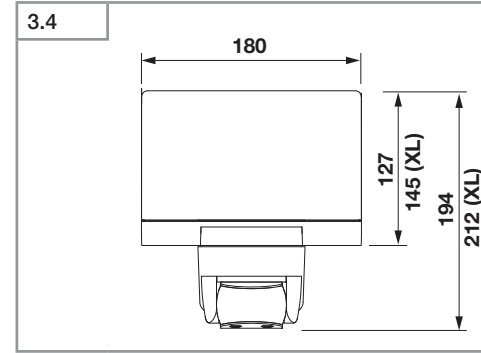
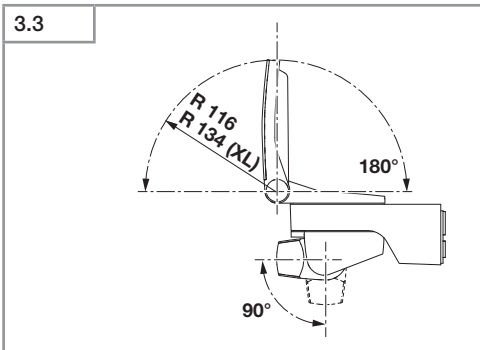
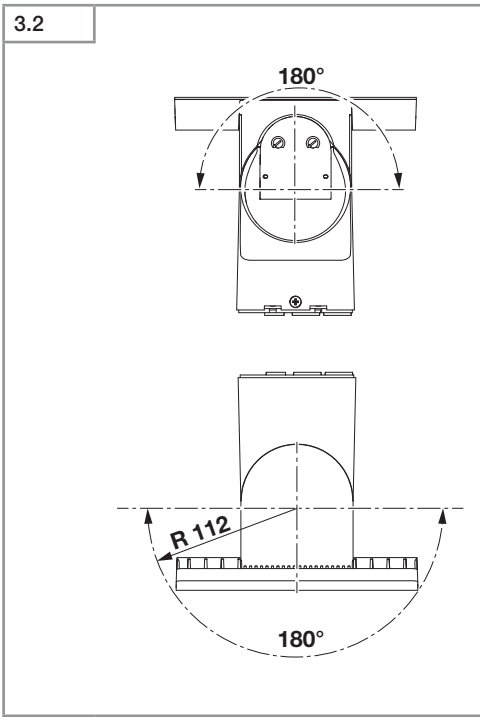
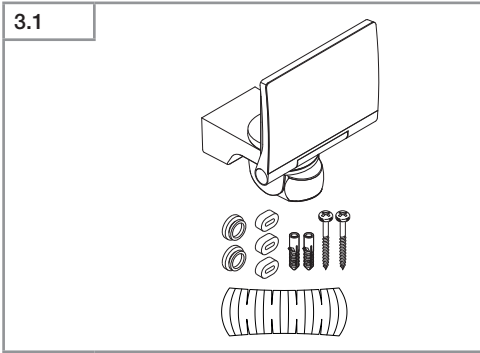
XLED home 2 XL

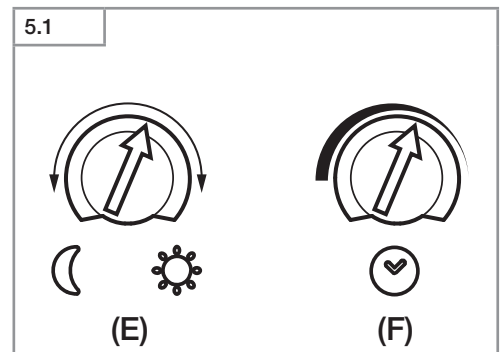
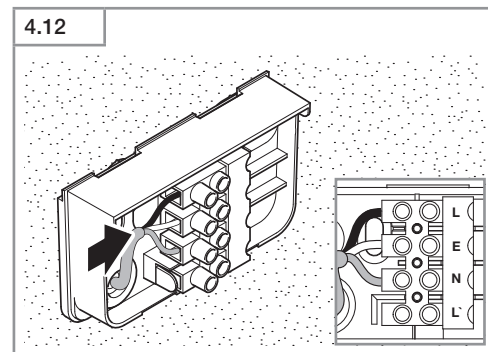
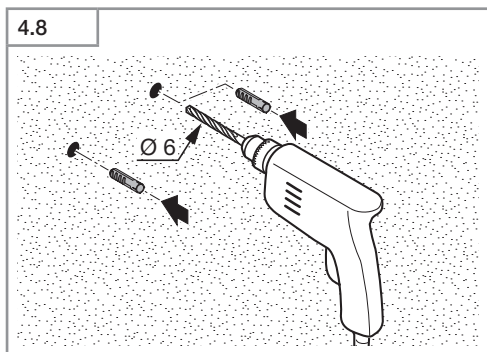
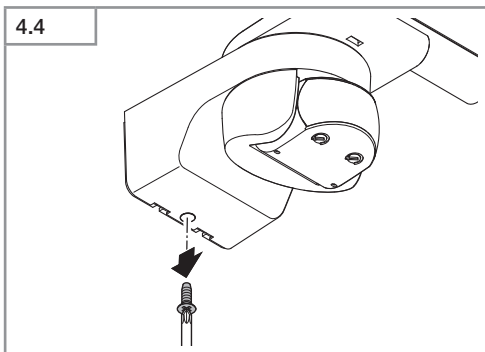
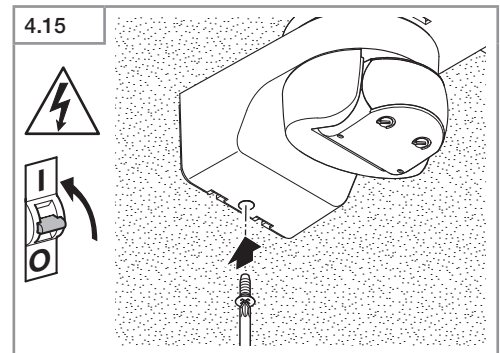
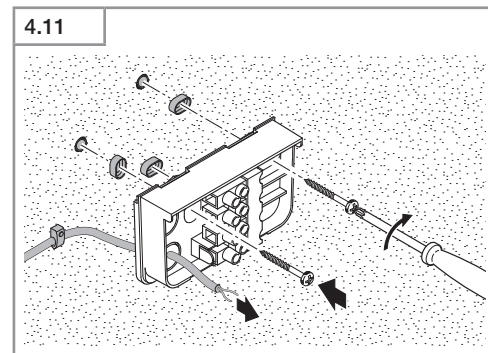
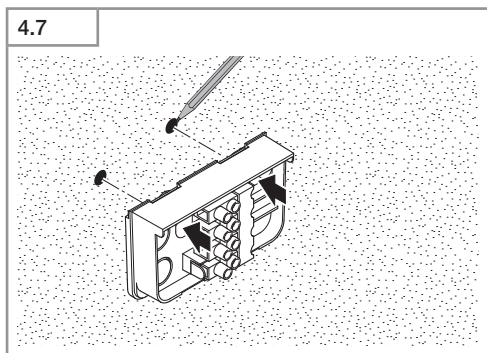
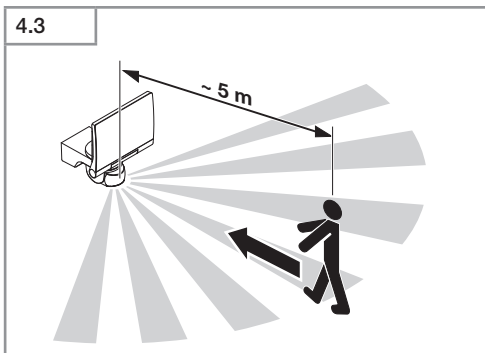
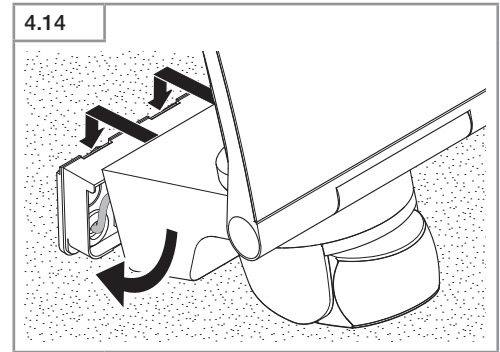
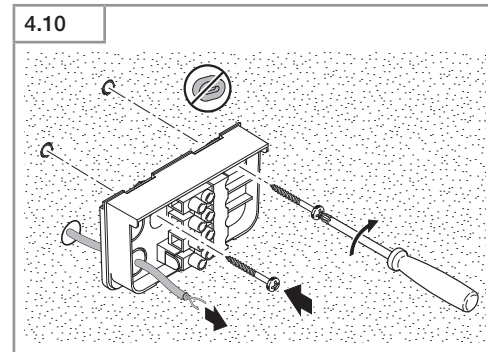
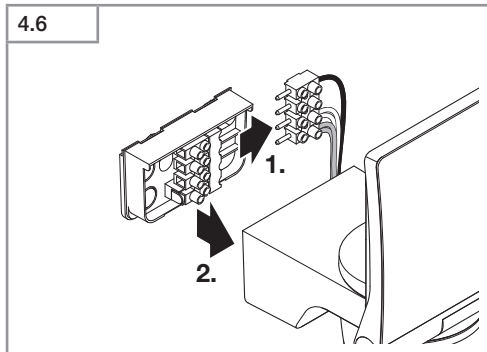
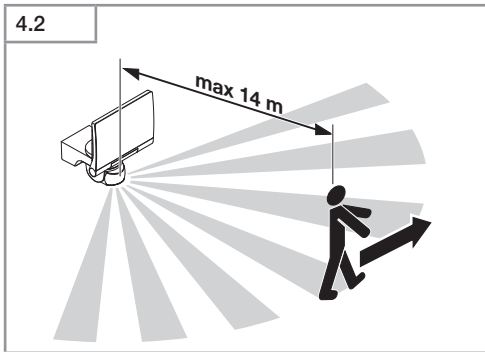
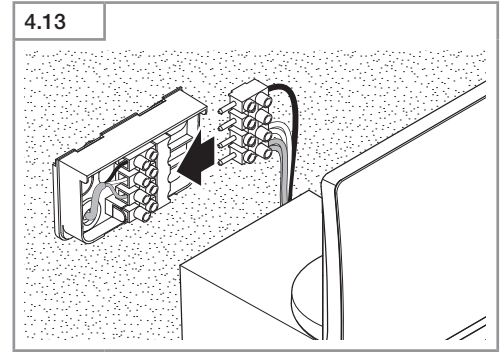
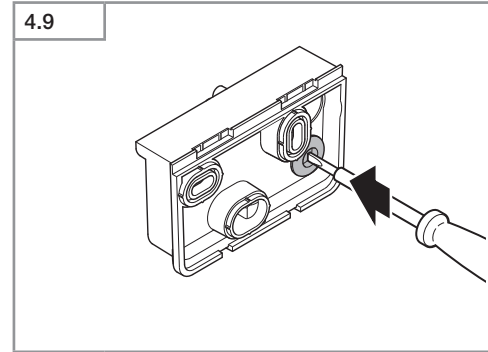
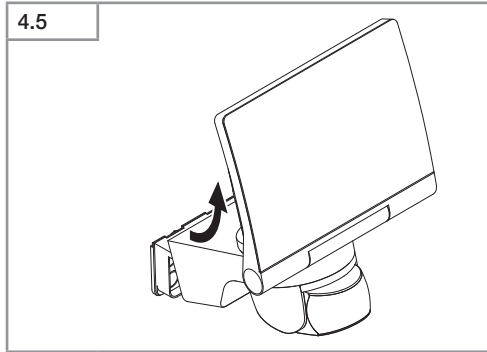
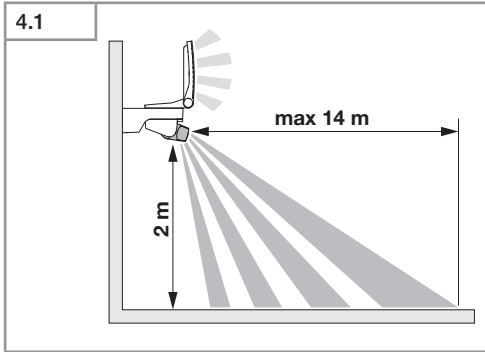
110048273\_06/2016\_J Technische Änderungen vorbehalten. / Subject to technical modification without notice.

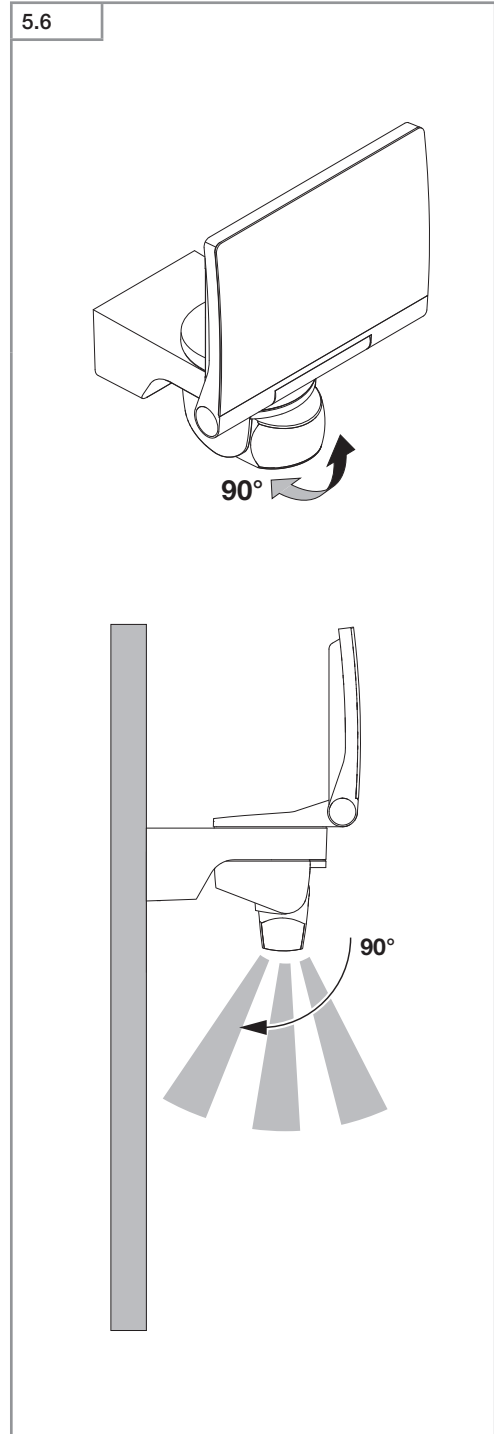
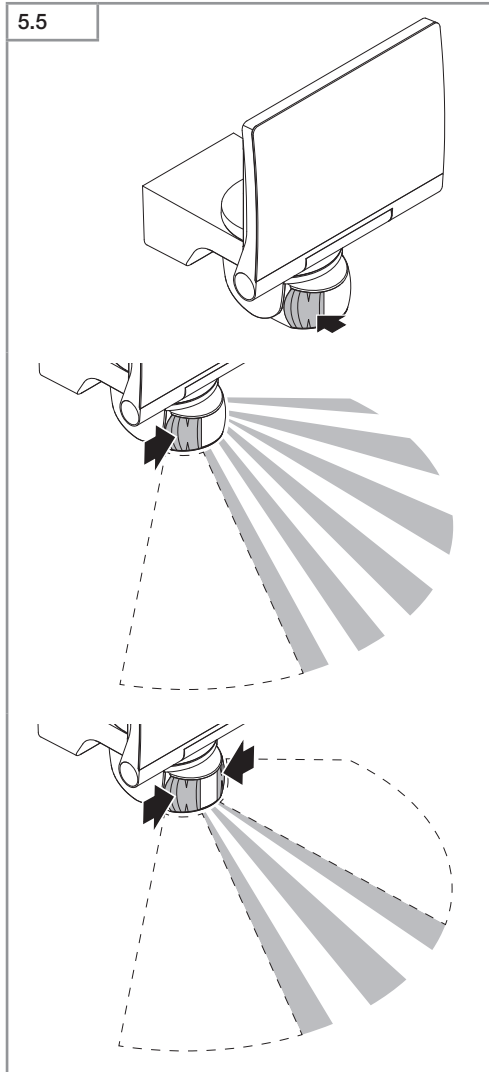
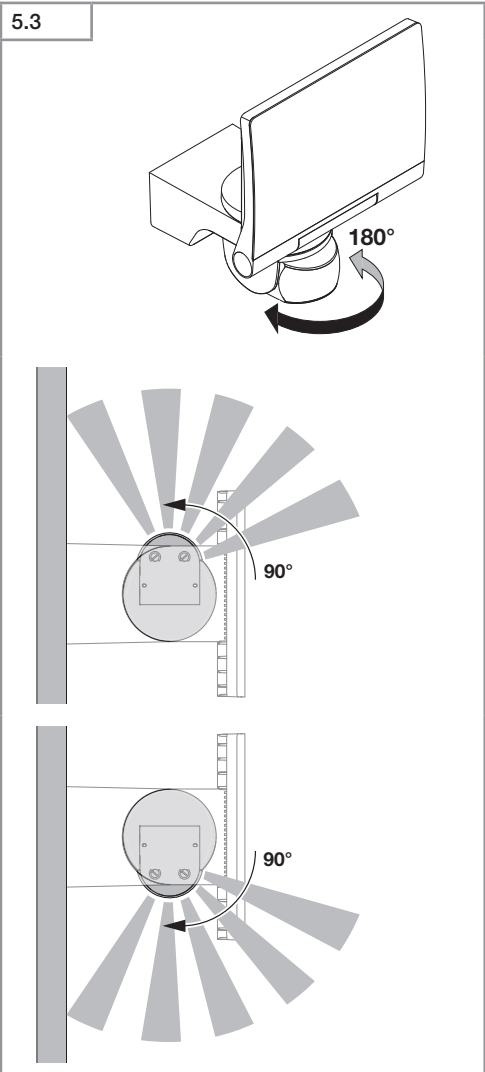
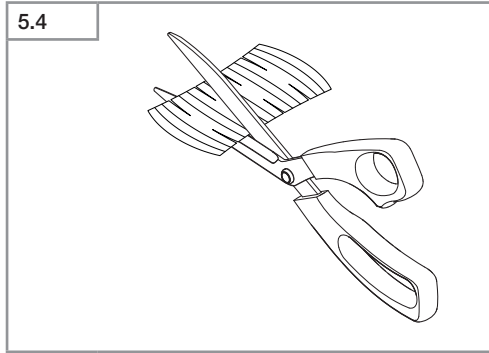
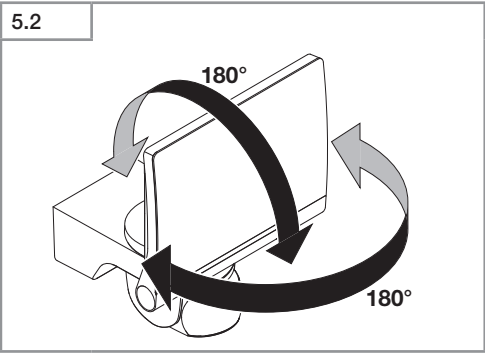
Information  
XLED home 2  
XLED home 2 XL



D..... 8 Textteil beachten!  
 GB..... 12 Follow written instructions!







## 1. About this document

### Please read carefully and keep in a safe place.

- Under copyright. Reproduction either in whole or in part only with our consent.
- Subject to change in the interest of technical progress.

### Symbols



Hazard warning!



Reference to other information in the document.

## 2. General safety precautions



Disconnect the power supply before attempting any work on the unit.

- Installing these units involves work on the mains voltage supply; installation must therefore be carried out professionally in accordance with the applicable national wiring regulations and electrical operating conditions (Ⓢ-VDE 0100, Ⓢ-ÖVE/ÖNORM E 8001-1, Ⓢ-SEV 1000)
- The light must be positioned so that it is not expected that anybody can stare into the light for any prolonged period from a distance of less than 0.3 m.
- The floodlight enclosure heats up when the light is on. Only adjust the angle of the LED panel once it has cooled down. Do not look into the LED light at short range or for any prolonged period (> 5 min). You could damage your retina.
- Do not install the unit on (normally) flammable surfaces.

## 3. XLED home 2 / XLED home 2 XL

### Proper use

- Sensor-switched floodlight suitable for wall mounting outdoors.
- Fully swivelling LED panel and moveable sensor.
- Available as a standalone floodlight or interconnected with the slave version.

Movement triggers lights, alarms and many other devices. With the fully swivelling panel, the floodlight can be used at home to provide perfect illumination for lighting up property, or commercially for lighting up business premises. In conjunction with the opal cover, this extremely efficient technology provides wide-area lighting.

### Models

- XLED home 2
- XLED home 2 XL

### Package contents (Fig. 3.1)

Sensor adjustment range (Fig. 3.2 / 3.3 / 5.6)

Product dimensions (Fig. 3.4 / 3.5)

Product components (Fig. 3.6)

A LED panel

B Enclosure

C Wall mount

D Sensor unit

E Twilight setting

F Time setting

## 4. Electrical installation

- Switch OFF power supply (Fig. 3.7)

### Connecting the mains power supply lead

The supply lead consist of three wires:

**L** = phase conductor (usually black, brown or grey)

**N** = neutral conductor (usually blue)

**PE** = protective-earth conductor (green/yellow)

If you are in any doubt, identify the conductors using a voltage tester; then disconnect from the power supply again. Connect the phase conductor (**L**) and neutral conductor (**N**) to the terminal block. The protective-earth conductor can be looped through by means of terminal (**E**).

Wiring diagram (Fig. 3.7)

### Important:

Incorrectly wired connections will produce a short circuit later on in the product or your fuse box. In this case, you must identify the individual conductors once again and re-connect them.

The light source of this luminaire cannot be replaced. If the light source needs to be replaced (e.g. at the end of its service life), the complete luminaire must be replaced.

## 5. Mounting

- Check all components for damage.
- Do not use the product if it is damaged.
- Select an appropriate mounting location, taking the reach and motion detection into consideration. (Fig. 4.1)

The most reliable motion detection is achieved by mounting the unit to face across the direction in which people walk and by making sure no obstacles (e.g. trees, walls etc.) interrupt the line of sensor vision (Fig. 4.2 / 4.3).

### Mounting procedure

- Switch OFF power supply. (Fig. 3.7)
- Undo retaining screws. (Fig. 4.4)
- Detach enclosure (**B**) from wall mount (**C**). (Fig. 4.5)
- Detach plug-in terminal (male) from wall mount. (Fig. 4.6)
- Mark drill holes. (Fig. 4.7)
- Drill holes and fit wall plugs. (Fig. 4.8)
- Fit sealing plug. (Fig. 4.9)
  - Power supply lead, concealed. (Fig. 4.10)
  - Power supply lead, surface-mounted, with spacers. (Fig. 4.11)
- Connect conductors. (Fig. 4.12)
- Connect plug-in terminal. (Fig. 4.13)
- Fit enclosure onto wall mount. (Fig. 4.14)
- Screw in retaining screws. (Fig. 4.15)
- Switch ON power supply. (Fig. 4.15)
- Make settings → "6. Function"

## 6. Function

### Factory settings for control dials

Twilight setting (E): 2000 lux

Time setting (F): 8 s

### Twilight setting (Fig. 5.1 / E)

infinitely variable

Control dial set to ☾ = twilight operation, approx. 2 lux

Control dial set to ☀ = daylight operation, approx. 2000 lux.

**Note:** To adjust the detection zone in daylight, the control dial must be set to ☀ = daylight operation.

### Time setting (Fig. 5.1 / F)

Control dial set to max = longest time, approx. 35 min

Control dial set to min = shortest time, approx. 8 s

**Note:** When setting the detection zone, we recommend selecting the shortest time.

### Reach setting/adjustment

The detection zone can be optimised to suit requirements.

Sensor unit

- Sensor unit swivels through 180°. (Fig. 5.3)
- Sensor unit tilts through 90°. (Fig. 5.6)

### Adhesive shrouds (Fig. 5.4)

The film shroud can be used for masking out any number of lens segments to limit reach as required. Inadvertent triggering is ruled out or the sensor can be targeted to watch over danger spots (Fig. 5.5).

### Other information:

Floodlight adjustment range (Fig. 3.2 / 3.3 / 5.2)

## 7. Operation / maintenance

The unit is not suitable for burglar alarm systems as it is not tamperproof in the manner prescribed for such systems. Weather can affect operation of the sensor-switched LED floodlight. Strong gusts of wind, snow, rain and hail may cause the light to come ON when it is not wanted because the sensor is unable to distinguish between sudden changes in temperature and sources of heat. The detector lens may be cleaned with a damp cloth if it gets dirty (do not use cleaning agents).

## 8. EC Declaration of Conformity

This product complies with the requirements defined in the following standards, legislation and directives:

- Low Voltage Directive 2014/35/EU
- EMC Directive 2014/30/EU
- RoHS Directive 2011/65/EU
- WEEE 2012/19/EU

## 9. Warranty

This STEINEL product has been manufactured with utmost care, tested for proper operation and safety and then subjected to random sample inspection. Steinel guarantees that it is in perfect condition and proper working order. The warranty period is 5 years and starts on the date of sale to the consumer. We will remedy defects caused by material flaws or manufacturing faults. The warranty will be met by repair or replacement of defective parts at our own discretion. The warranty shall not cover damage to wear parts, damage or defects caused by improper treatment or maintenance. Further consequential damage to other objects shall be excluded. Claims under the warranty will only be accepted if the unit is sent fully assembled and well-packed with a brief description of the fault, a receipt or invoice (date of purchase and dealer's stamp) to the appropriate Service Centre.

### Service:

Our Customer Service Department will repair faults not covered by warranty or after the warranty period. Please send the product well-packed to your nearest Service Centre.



## 10. Technical specifications

	XLED Home 2	XLED Home 2 XL
Dimensions (H x W x D)	194 x 180 x 161	212 x 180 x 161
Output	14.8 W / 80 lm/W	20 W / 80 lm/W
Luminous flux / brightness	1184 lm	1608 lm
Weight	0.575 kg	0.620 kg
Area illuminated	Front view 283.1 cm <sup>2</sup> Side view 113 cm <sup>2</sup>	Front view 316.2 cm <sup>2</sup> Side view 115 cm <sup>2</sup>
Additional switching capacity	max. 800 W (resistive load, e.g. light bulbs) max. 400 W (uncorrected, inductive, $\cos \varphi = 0.5$ , e.g. fluorescent lamps) max. 400 W (electronic ballasts, capacitive, e.g. low-energy bulbs, max. 4 each, $\leq 88 \mu\text{F}$ )	
Efficiency	80 lm/W	
Colour temperature	4000K (neutral white)	
Colour rendering index	Ra $\geq$ 80	
Supply voltage	230-240 ~V / 50/60 Hz	
Sensor system	Passive infrared	
Reach	max. 14 m	
Angle of coverage	140°	
Time setting	8 s - 35 min	
Twilight setting	2 - 2000 lux	
IP / protection class	IP44 / II	

## 11. Troubleshooting

Malfunction	Cause	Remedy
Sensor-switched LED floodlight without power	<ul style="list-style-type: none"> <li>■ Fuse faulty, not switched ON, break in wiring</li> <li>■ Short circuit</li> </ul>	<ul style="list-style-type: none"> <li>■ Replace fuse, turn ON mains switch, check lead with voltage tester</li> <li>■ Check connections</li> </ul>
Sensor-switched LED floodlight will not switch ON	<ul style="list-style-type: none"> <li>■ Twilight setting in night mode during daytime operation</li> <li>■ Mains power switch OFF</li> <li>■ Fuse faulty</li> <li>■ Detection zone not properly targeted</li> </ul>	<ul style="list-style-type: none"> <li>■ Readjust</li> <li>■ Switch ON</li> <li>■ Fit new fuse, check connection if necessary</li> <li>■ Readjust</li> </ul>
Sensor-switched LED floodlight will not switch OFF	<ul style="list-style-type: none"> <li>■ Continuous movement in the detection zone</li> </ul>	<ul style="list-style-type: none"> <li>■ Check zone and readjust if necessary or apply shroud</li> </ul>
Sensor-switched LED floodlight keeps switching ON and OFF	<ul style="list-style-type: none"> <li>■ Animals moving in the detection zone</li> </ul>	<ul style="list-style-type: none"> <li>■ Tilt sensor higher or apply specific shrouds; adjust detection zone or fit shrouds</li> </ul>
Sensor-switched LED floodlight switches ON when it should not	<ul style="list-style-type: none"> <li>■ Wind is moving trees and bushes in the detection zone</li> <li>■ Cars on the road are being detected</li> <li>■ Sudden change in temperature caused by weather (wind, rain, snow) or air discharged from fans, open windows</li> <li>■ Sensor-switched LED floodlight swaying (moving), resulting, for example, from gusts of wind or heavy precipitation</li> </ul>	<ul style="list-style-type: none"> <li>■ Change detection zone</li> <li>■ Change detection zone</li> <li>■ Change detection zone, mount in a different place</li> <li>■ Fit sensor-switched LED floodlight to a firm surface</li> </ul>